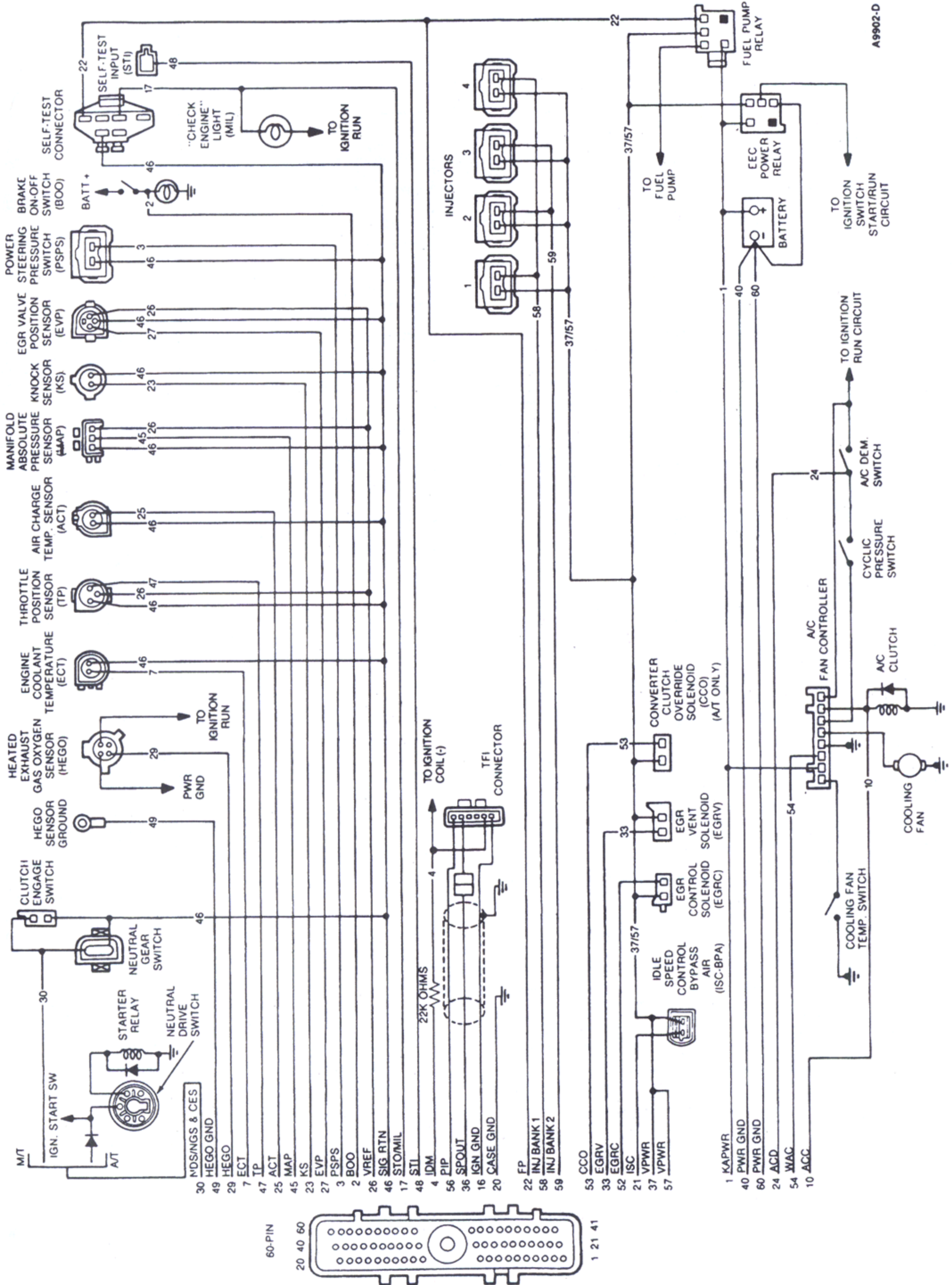


**2.3L
MAP OHC**
(VIN Code S)

**1988-1990
Mustang**

VIN: 1 2 3 4 5 6 7 8 ... 17
 Engine code



A9902-D